



Ollari e Conti International s.r.l.

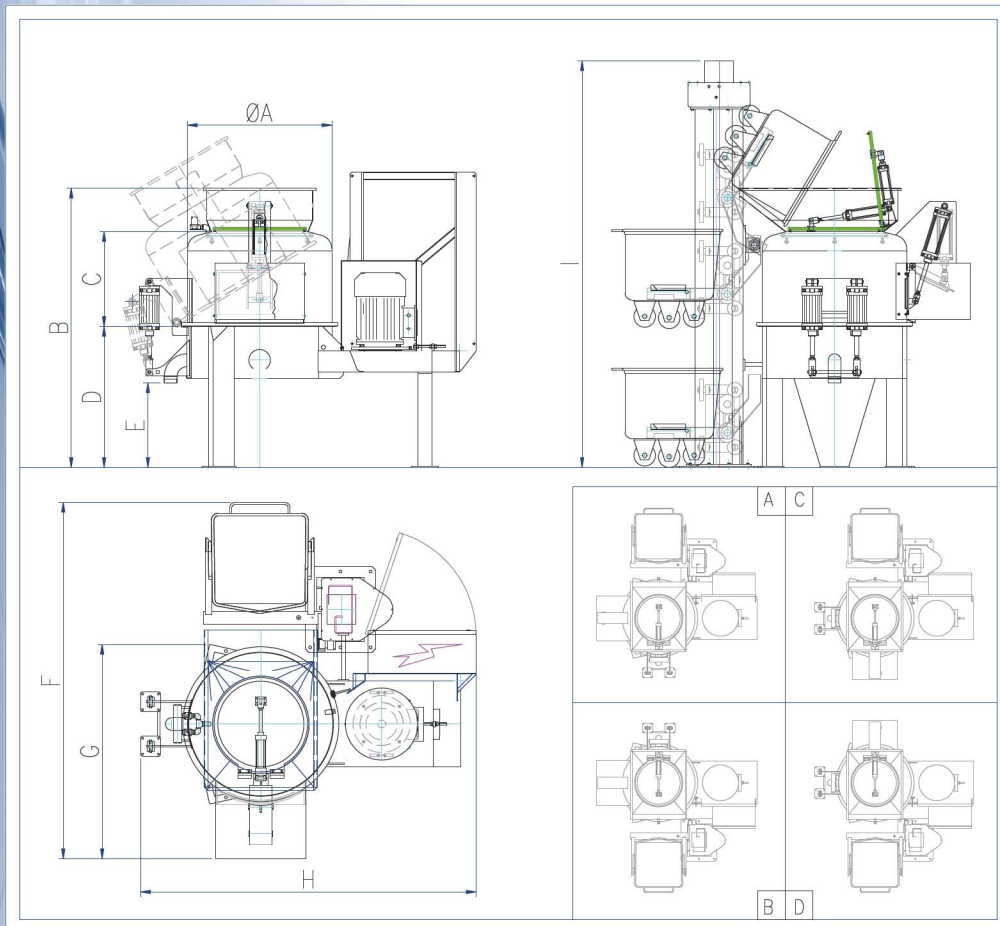
*Da Un Mondo di Tradizione... Un Prodotto di Perfezione!
From A World Of Tradition... A Product Of Perfection!*

CENTRIFUGE MODEL TL

TAGLIA/LAVA BUDELLA - GUT HASHER - DARMREINIGUNGSMASCHINE - HACHEUR D'INTESTIN - TRITURADORA
ИЗМЕЛЬЧЕНИЕ КИШОК - ROZDRABNIARKA DO JELIT



| TL | | | | | |
|------------------|------|------|------|------|------|
| MODEL | 10 | 15 | 20 | 25 | 50 |
| ØA | 500 | 750 | 1000 | 1250 | 1500 |
| B | 1085 | 1245 | 1950 | 2075 | 2720 |
| C | 445 | 530 | 665 | 785 | 880 |
| D | 460 | 460 | 985 | 985 | 985 |
| E | 220 | 210 | 590 | 545 | 375 |
| F | 1785 | 2730 | 2495 | 2595 | 3410 |
| G | 995 | 1690 | 1500 | 1750 | 2190 |
| H | 1225 | 1190 | 2335 | 2495 | 3035 |
| Dimensions in MM | | | | | |
| LIFTER | S180 | S200 | S250 | S280 | S300 |
| I | 2644 | 2844 | 3344 | 3644 | 3488 |



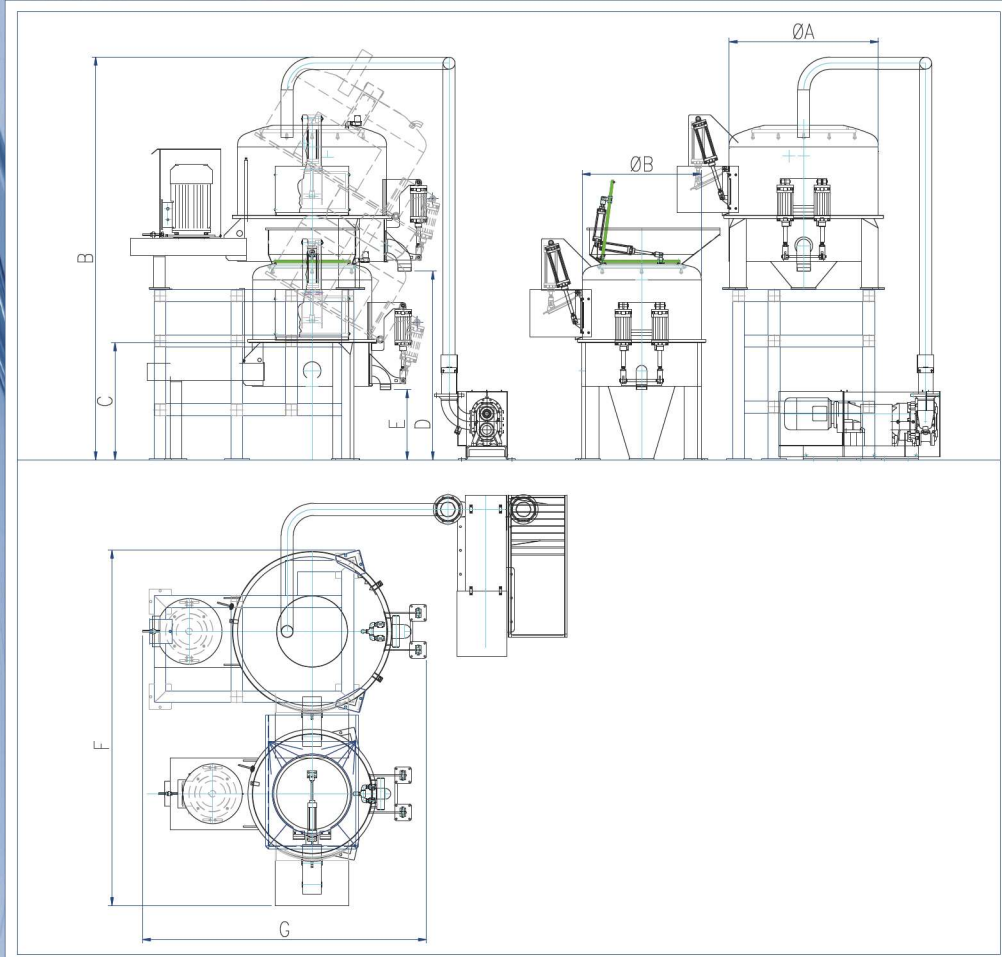


Ollari e Conti International s.r.l.

Da Un Mondo di Tradizione... Un Prodotto di Perfezione!
From A World Of Tradition... A Product Of Perfection!



| INLINE TL-S DIRECT | | | |
|--------------------|----------|----------|----------|
| MODEL | TL15-S10 | TL20-S15 | TL25-S20 |
| Ø A | 750 | 1000 | 1250 |
| Ø B | 500 | 750 | 1000 |
| C | 800 | 800 | 985 |
| D | 1055 | 1100 | 1585 |
| E | 565 | 550 | 590 |
| F | 2100 | 2300 | 3000 |
| G | 1350 | 2030 | 2400 |



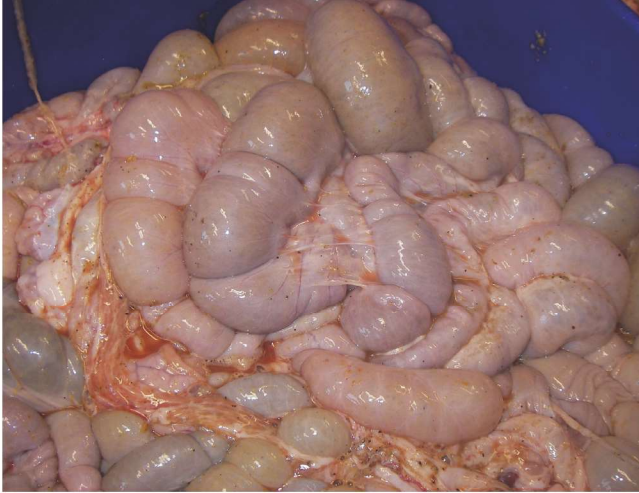


Ollari e Conti International s.r.l.

*Da Un Mondo di Tradizione... Un Prodotto di Perfezione!
From A World Of Tradition... A Product Of Perfection!*

PORK INTESTINES

ORIGINAL



AFTER TL MACHINE



AFTER TL & S MACHINE

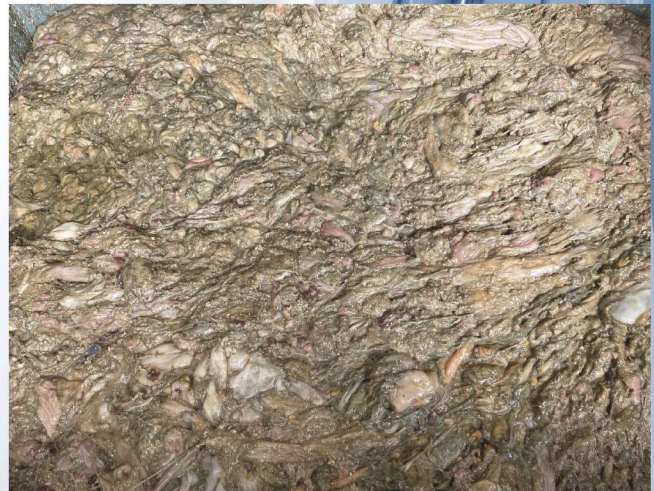


BEEF INTESTINES

ORIGINAL



AFTER TL MACHINE





Ollari e Conti International s.r.l.

Da Un Mondo di Tradizione... Un Prodotto di Perfezione!
From A World Of Tradition... A Product Of Perfection!

| TL | TAGLIA/LAVA BUDELLA - GUT HASHER - DARMREINIGUNGSMASCHINE - HACHEUR D'INTESTIN - TRITURADORA - ИЗМЕЛЬЧЕНИЕ КИШОК - ROZDRABNIARKA DO JELIT | | | | | |
|--|--|----------|--------------------------------------|----------|-------------------------------|----------|
| PRODOTTO | INTESTINO DI BOVINO INTERO | | BUDELLO DI SUINO CON SOLO CRESPONE | | OVINO SENZA BUDELLINA | |
| PRODUCT | ENTIRE BEEF INTESTINE | | PORK GUT WITH ONLY CHITTERLING | | OVINE WITHOUT RUNNER | |
| PRODUKT | RINDERDARM KOMPLETT | | SCHWEINEDARM MIT KRAUSEN | | SCHAF OHNE DARM | |
| PRODUIT | INTESTIN DE BŒUF | | INTESTIN DE PORC AVEC TRIPES | | OVIN SANS CÔLON | |
| PRODUCTO | INTESTINO DE VACUNO ENTERO | | TRIPA DE CERDO CON SOLO TRIPA GRUESA | | OVINO SIN CORONA | |
| ПРОДУКТ | ПОЛНЫЙ КИШПАКЕТ КРС | | ОСТАТКИ КИШПАКЕТА ВКЛ. КУДРЯВКУ | | КИШПАКЕТ МРС БЕЗ ТОНКОЙ КИШКИ | |
| PRODUKT | CAŁE JELITA WOŁOWE | | JELITA GRUBE WIEPRZOWE | | BARANINA BEZ JELITA CIENKIEGO | |
| PER CARICO - PER LOAD - PRO LADUNG - PAR CHARGE - POR CARGA - ЗАГРУЗКА В ШТУКАХ - SZT.NA ZAŁADUNEK | | | | | | |
| | MIN | MAX | MIN | MAX | MIN | MAX |
| TL10 | 0,50 Pcs | 0,50 Pcs | 3 Pcs | 3 Pcs | 4 Pcs | 5 Pcs |
| | 13 Kg | 18 Kg | 11 Kg | 14 Kg | 12 Kg | 18 Kg |
| TL15 | 1 Pcs | 2 Pcs | 4 Pcs | 5 Pcs | 6 Pcs | 8 Pcs |
| | 35 Kg | 38 Kg | 14 Kg | 28 Kg | 18 Kg | 28 Kg |
| TL20 | 2 Pcs | 3 Pcs | 8 Pcs | 10 Pcs | 8 Pcs | 10 Pcs |
| | 70 Kg | 75 Kg | 28 Kg | 55 Kg | 24 Kg | 35 Kg |
| TL25 | 3 Pcs | 4 Pcs | 15 Pcs | 16 Pcs | 18 Pcs | 25 Pcs |
| | 88 Kg | 94 Kg | 53 Kg | 88 Kg | 54 Kg | 88 Kg |
| TL50 | 4 Pcs | 6 Pcs | 26 Pcs | 28 Pcs | 32 Pcs | 44 Pcs |
| | 131 Kg | 141 Kg | 92 Kg | 154 Kg | 95 Kg | 153 Kg |
| PER ORA - PER HOUR - PRO STUNDE - PAR HEURES - POR HORA - ШТУК В ЧАС - SZT. NA GODZINĘ | | | | | | |
| | MIN | MAX | MIN | MAX | MIN | MAX |
| TL10 | 18 Pcs | 18 Pcs | 105 Pcs | 88 Pcs | 120 Pcs | 150 Pcs |
| | 613 Kg | 438 Kg | 368 Kg | 481 Kg | 360 Kg | 525 Kg |
| TL15 | 35 Pcs | 53 Pcs | 140 Pcs | 175 Pcs | 180 Pcs | 240 Pcs |
| | 1225 Kg | 1313 Kg | 490 Kg | 963 Kg | 540 Kg | 840 Kg |
| TL20 | 70 Pcs | 105 Pcs | 280 Pcs | 350 Pcs | 240 Pcs | 300 Pcs |
| | 2450 Kg | 2625 Kg | 980 Kg | 1925 Kg | 720 Kg | 1050 Kg |
| TL25 | 88 Pcs | 131 Pcs | 525 Pcs | 560 Pcs | 540 Pcs | 750 Pcs |
| | 3063 Kg | 3281 Kg | 1838 Kg | 3080 Kg | 1620 Kg | 2625 Kg |
| TL50 | 131 Pcs | 197 Pcs | 919 Pcs | 980 Pcs | 945 Pcs | 1313 Pcs |
| | 4594 Kg | 4922 Kg | 3216 Kg | 5390 Kg | 2835 Kg | 4594 Kg |
| ESTIMATE REDUCTION IN WEIGHT | | | | | | |
| SPECIES | BOVINE | | PORCINE | | OVINE | |
| % | 30-32% | | 48-52% | | 50-55% | |
| TL | CARATTERISTICHE TECNICHE - TECHNICAL FEATURES - TECHNISCHE DATEN - CARACTÉRISTIQUE TECHNIQUE - CARACTERÍSTICAS TÉCNICAS - ТЕХНИЧЕСКИЕ ХАРАКТЕРИСТИКИ - DANE TECHNICZNE | | | | | |
| | 400V, 50Hz, 3 PHASE | | WATER CONSUMPTION | | AIR USAGE | |
| TL10 | 2,2kw 90LB, 4 Poli, B14 | | 0.50 - 0.75 | L / sec. | 20 - 50 | L / Hr |
| TL15 | 5,5KW 132, 4 Poli, B5 | | 0.50 - 0.70 | L / sec. | 20 - 50 | L / Hr |
| TL20 | 15KW 180, 6 Poli, B5 | | 0.65 - 0.85 | L / sec. | 80 - 100 | L / Hr |
| TL25 | 22KW 200La, 6 Poli, B5 | | 0.80 - 1.20 | L / sec. | 80 - 100 | L / Hr |
| TL50 | 30KW 200L, 4 Poli, B5 | | 1.5 - 1.75 | L / sec. | 80 - 100 | L / Hr |
| LIFTER | 2,2kw 100, 4 Poli, B14 | | | | | |
| POMPA - PUMP - PUMPE - POMPE - BOMBA - НАСОС - POMPA | | | | | | |
| PUMPS | VX186-260Q | 11 Kw | VX136-105Q | 7,5 Kw | VX100-45Q | 4 Kw |