



Ollari e Conti International s.r.l.

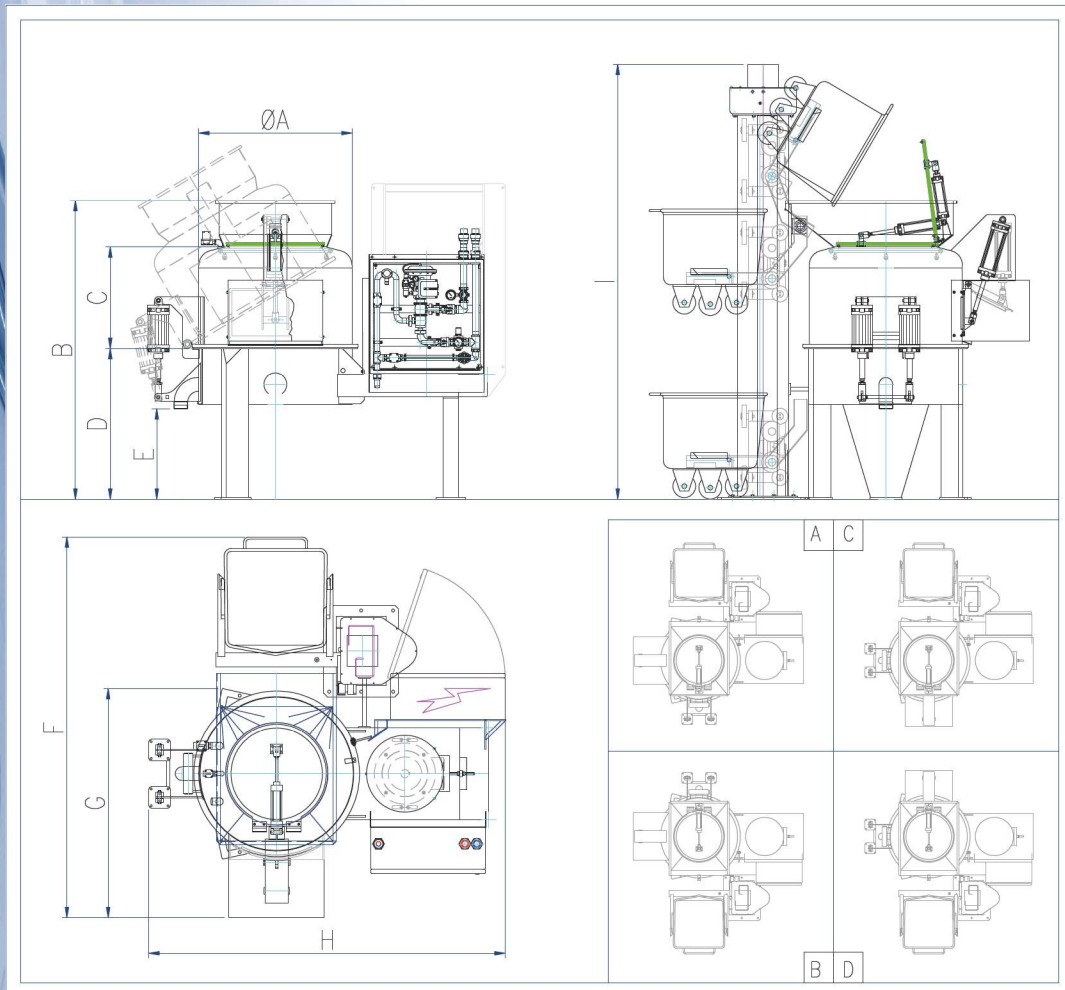
Da Un Mondo di Tradizione... Un Prodotto di Perfezione!
From A World Of Tradition... A Product Of Perfection!

CENTRIFUGE MODEL P

PELATRICI - TRIPE WASHER - BRÜHMASCHINE - LAVEUSE DE TRIPES - LAVADORA DE PANZAS - МОЙКА РУБЦОВ
 MASZYNA DO CZYSZCZENIE ŻOŁĄDKÓW WOŁOWYCH



P-R-S-LC					
MODEL	10	15	20	50	25
ØA	500	750	1000	1250	1500
B	1085	1245	1950	2075	2720
C	445	530	665	785	880
D	460	460	985	985	985
E	220	210	590	545	375
F	1785	2730	2495	2595	3410
G	995	1690	1500	1750	2190
H	1225	1190	2335	2495	3035
Dimensions in MM					
LIFTER	S180	S200	S250	S280	S300
I	2644	2844	3344	3644	3488





Ollari e Conti International s.r.l.

*Da Un Mondo di Tradizione... Un Prodotto di Perfezione!
From A World Of Tradition... A Product Of Perfection!*

P		BOVINE - BEEF - RIND - BŒUF - VACUNO - KPC - WOŁOWINA										OVINO - OVINE - SCHAFILAMM-MOUTON/JAGNEAU/OVINO-MP&B BARANINA/JAGNIĘCINA	
PRODOTTO	TRIPPA	FOIOLO BIANCO	FOIOLO VERDE	TRIPPA E FOIOLO	FRASAME	TRIPPA LAVATA	TRIPPA LAVATA E SCOTTATA	PRODUCT	TRIBE	GREEN OMASUM	ABOMASUM	TRIBE WASHED	TRIBE WASHED & COOKED
PRODUKT	PANSEN	BLÄTTERMAGEN WEISS	BLÄTTERMAGEN GRÜN	PANSEN UND BLÄTTERMAGEN	LABMAGEN	PANSEN WASCHEN	PANSEN WASCHEN & KOCHEN	PRODUIT	PANSES	OMASUM/FEUILLET BLANC	CAILLETTE / FEUILLET	TRIPES LAVÉ	TRIPES LAVÉ ET CUISINÉ
PRODUCTO	TRIPA	OMASUM BLANCO	OMASUM VERDE	TRIPA & OMASUM	ABOMASUM	TRIPA LAVADA	TRIPA LAVADA Y SOCIDA	ПРОДУКТ	РУБЦЫ	КНИЖКИ (БЕЛЫЕ)	КНИЖКИ (ЗЕЛЕНЬЕ)	РУБЦЫ МОЮТСЯ	РУБЦЫ МОЮТСЯ И БАРЯТСЯ
PRODUKT	ŻOŁĄDEK	BIAŁA KSIĘGA	ŻOŁĄDKI I KSIĘGI	ŻOŁĄDKI I KSIĘGI	TRAWNIENIEC	MYCIE ŻOŁĄDKÓW	MYCIE I GOTOWANIE ŻOŁĄDKÓW						
PER CARICO - PER LOAD - PRO LADUNG - PAR CHARGE - ЗАГРУЗКА В ШТУКАХ - SZT.NA ZAŁADUNEK													
P10		MIN	MAX	MIN	MAX	MIN	MAX	MIN	MAX	MIN	MAX	MIN	MAX
	1 Pcs	2 Pcs	5 Pcs	1 Pcs	2 Pcs	2 Pcs	4 Pcs	6 Pcs	12 Pcs	12 Pcs	15 Pcs	40 Pcs	15 Pcs
	3 Pcs	4 Pcs	14 Pcs	4 Pcs	6 Pcs	4 Pcs	13 Pcs	12 Pcs	24 Pcs	24 Pcs	35 Pcs	50 Pcs	35 Pcs
	8 Pcs	14 Pcs	20 Pcs	9 Pcs	15 Pcs	11 Pcs	17 Pcs	25 Pcs	50 Pcs	50 Pcs	125 Pcs	175 Pcs	125 Pcs
	18 Pcs	16 Pcs	35 Pcs	18 Pcs	25 Pcs	24 Pcs	26 Pcs	50 Pcs	100 Pcs	100 Pcs	230 Pcs	280 Pcs	230 Pcs
	36 Pcs	32 Pcs	70 Pcs	36 Pcs	50 Pcs	48 Pcs	51 Pcs	100 Pcs	200 Pcs	200 Pcs	460 Pcs	560 Pcs	460 Pcs
P15		MIN	MAX	MIN	MAX	MIN	MAX	MIN	MAX	MIN	MAX	MIN	MAX
	6 Pcs	11 Pcs	28 Pcs	4 Pcs	9 Pcs	7 Pcs	11 Pcs	60 Pcs	120 Pcs	120 Pcs	120 Pcs	60 Pcs	160 Pcs
	18 Pcs	24 Pcs	77 Pcs	17 Pcs	26 Pcs	12 Pcs	39 Pcs	120 Pcs	240 Pcs	240 Pcs	280 Pcs	140 Pcs	200 Pcs
	48 Pcs	77 Pcs	110 Pcs	38 Pcs	64 Pcs	39 Pcs	51 Pcs	250 Pcs	500 Pcs	500 Pcs	1000 Pcs	500 Pcs	700 Pcs
	108 Pcs	88 Pcs	193 Pcs	77 Pcs	106 Pcs	77 Pcs	84 Pcs	500 Pcs	1000 Pcs	1000 Pcs	1840 Pcs	920 Pcs	1120 Pcs
	216 Pcs	176 Pcs	385 Pcs	153 Pcs	213 Pcs	168 Pcs	153 Pcs	1000 Pcs	2000 Pcs	2000 Pcs	3680 Pcs	1840 Pcs	2240 Pcs
PER ORA - PER HOUR - PRO STUNDE - PAR HEURES - POR HORA - ШТУК В ЧАС - SZT. NA GODZINE													
P		CARATTERISTICHE TECNICHE - TECHNICAL FEATURES - TECHNISCHE DATEN - CARACTERÍSTICAS TÉCNICAS - TECHNICESKIE CHARAKTERISTYKI - DANE TECHNICZNE										AIR USAGE	
	400V, 50Hz, 3 PHASE	WATER CONSUMPTION										20 - 50 L / Hr	
P10	2,2kw 90LB, 4 Poli, B14	0.50 - 0.75 L / sec.										20 - 50 L / Hr	
P15	4KW 112M, 4 Poli, B5	0.75 - 0.80 L / sec.										80 - 100 L / Hr	
P20	11KW 160I, 6 Poli, B5	0.85 - 1.0 L / sec.										80 - 100 L / Hr	
P25	22KW 200La, 6 Poli, B5	1.25 - 1.50 L / sec.										80 - 100 L / Hr	
P50	30KW 200L, 4 Poli, B5	2.5 - 3.0 L / sec.										80 - 100 L / Hr	
LIFTER	2,2kw 100, 4 Poli, B14												

Ollari e Conti International s.r.l.

43126 Parma - Via G.S. Sonnino, 18/A - Tel. +39/0521/992228 - Fax +39/0521/994249

E-mail: Info@ollarieconti.it - Website: www.ollarieconti.it