



Ollari e Conti International s.r.l.

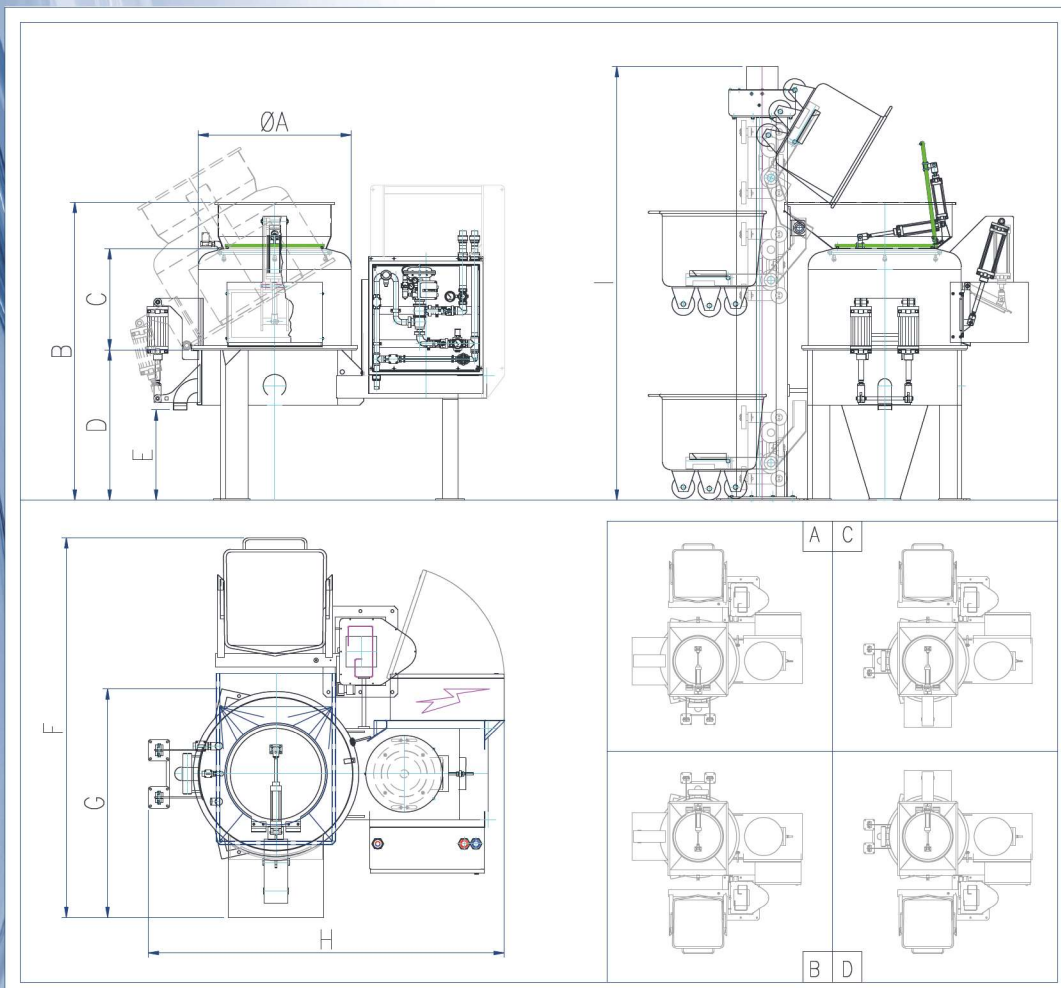
*Da Un Mondo di Tradizione... Un Prodotto di Perfezione!
From A World Of Tradition... A Product Of Perfection!*

CENTRIFUGE MODEL LC

FRATAGLIEROSI-REDOFFALS-ROTEORGANE-ABATSRORGES
ORGANOS ROJOS - КРАСНЫЕ ОРГАНЫ - CZERWONE ORGANY



P-R-S-LC					
MODEL	10	15	20	50	25
ØA	500	750	1000	1250	1500
B	1085	1245	1950	2075	2720
C	445	530	665	785	880
D	460	460	985	985	985
E	220	210	590	545	375
F	1785	2730	2495	2595	3410
G	995	1690	1500	1750	2190
H	1225	1190	2335	2495	3035
Dimensions in MM					
LIFTER	S180	S200	S250	S280	S300
I	2644	2844	3344	3644	3488





Ollari e Conti International s.r.l.

*Da Un Mondo di Tradizione... Un Prodotto di Perfezione!
From A World Of Tradition... A Product Of Perfection!*

LC	FRATAGLIE ROSSI - RED OFFALS - ROTE ORGANE - ABATS ROUGES - ORGANOS ROJOS - КРАСНЫЕ ОПТАХИ - CZERWONE ORGANY	BOVINO	SUINO	OVINO
PRODOTTO	BEEF	PORK	SHEEP/LAMB	
PRODUCT	RIND	SCHWEIN	SCHAF/LAMM	
PRODUKT	BŒUF	PORC	MOUTON/AGNEAU	
PRODUCTO	VACUNO	PORCINO	OVINO	
ПРОДУКТ	KPC	СВИНЬИ	МРС	
PRODUKT	WOLOWINA	WIEPRZOWINA	BARANINA/JAGNIĘCINA	
	PER CARICO - PER LOAD - PRO LADUNG - PAR CHARGE - POR CARGA - ЗАГРУЗКА В ШТУКАХ - SZT.NA ZAŁADUNEK			
LC10	MIN 8 Pcs	MIN 10 Pcs	MIN 12 Pcs	MIN 12 Pcs
LC15	MAX 15 Pcs	MAX 20 Pcs	MAX 25 Pcs	MAX 20 Pcs
LC20				
LC25				
LC50				
	PER ORA - PER HOUR - PRO STUNDE - PAR HEURES - POR HORA - ШТУК В ЧАС - SZT. NA GODZINĘ			
LC10	MIN 144 Pcs	MIN 180 Pcs	MIN 216 Pcs	MIN 216 Pcs
LC15	MAX 270 Pcs	MAX 360 Pcs	MAX 450 Pcs	MAX 360 Pcs
LC20				
LC25				
LC50				
	CARATTERISTICHE TECNICHE - TECHNICAL FEATURES - TECHNISCHE DATEN - CARACTÉRISTIQUE TECHNIQUE - CARACTERISTICAS TÉCNICAS - ТЕХНИЧЕСКИЕ ХАРАКТЕРИСТИКИ - DANE TECHNICZNE			
LC10	400V, 50Hz, 3 PHASE	WATER CONSUMPTION		AIR USAGE
LC15	2,2kw 90LB, 4 Poli, B14	0.50 - 0.75	L / sec.	20 - 50 L / Hr
LC20	4KW 112M, 4 Poli, B5	0.75 - 0.80	L / sec.	20 - 50 L / Hr
LC25	11KW 160I, 6 Poli, B5	0.85 - 1.0	L / sec.	80 - 100 L / Hr
LC50	22KW 200La, 6 Poli, B5	1.25 - 1.50	L / sec.	80 - 100 L / Hr
LIFTER	30KW 200L, 4 Poli, B5	2.5 - 3.0	L / sec.	80 - 100 L / Hr
	2,2kw 100, 4 Poli, B14			

Ollari e Conti International s.r.l.

43126 Parma - Via G.S. Sonnino, 18/A - Tel. +39/0521/992228 - Fax +39/0521/994249

E-mail: Info@ollarieconti.it - Website: www.ollarieconti.it